

AIS Alarm Box

Your Audible Alert to Rescue

The audible alerting system for any AIS MOB and SART



Panel or bracket mount



Waterproof (for external mounting)



Alarms on all received or specific devices
Relay for connection of external alarm



Programmable with up to 10
individual device MMSI numbers
Programmed by USB from a Windows PC



Detects AIS MOB and AIS SART devices



Multiple tones to identify source
AIS MOB or SART, active or test message



NMEA0183-HS (38400baud) input



NMEA through-port for easy integration



Supplied with power and USB cables



Features and Specifications

Features

Ocean Signal's range of safety products provides both recreational and commercial mariners with simple to use, compact and affordable life-saving solutions.

The AIS alarm box is designed to ensure that the moment any AIS MOB or AIS SART signal is received an audible alarm is sounded ensuring everyone on the vessel is alerted to a possible MOB or a crew in need of rescue. Its simple design, compact nature and use of NMEA 0183 means that integrating the AIS Alarm Box into your AIS receiver and existing network is straight forward.

The Ocean Signal AIS Alarm has the ability to be programmed by the user with up to 10 individual MMSI numbers, multiple tones to identify the source of the AIS signal (MOB or SART) as well as being waterproof to allow for external mounting.

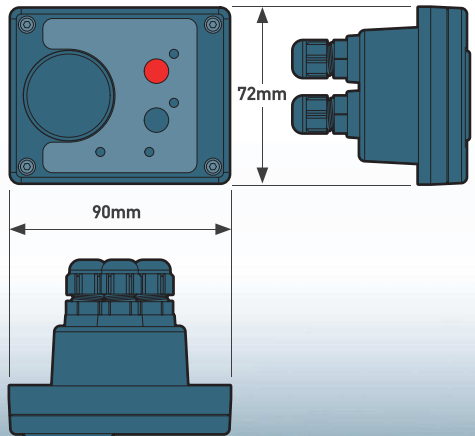


Specifications

AIS message reception	
NMEA capability	38400baud, !VDM
Alarm contacts	8Amps, 250V AC
Environmental	
Temperature range (operational)	-15°C - +55°C
Waterproof	1m depth
Dimensions	90mm x 72mm x 72mm**

**depth including waterproof cable glands

AIS Alarm box dimensions



Whilst every effort has been made to ensure the information in this leaflet is accurate, products and specifications may be changed without notice.