

Introduction

The rescueME AIS Alarm Box is designed to read NMEA data from a suitable AIS receiver or transceiver and sound an alarm whenever an AIS SART or AIS MOB message is received. The AIS Alarm Box is user configurable to allow different responses to individual MMSI numbers and test messages.


Contents

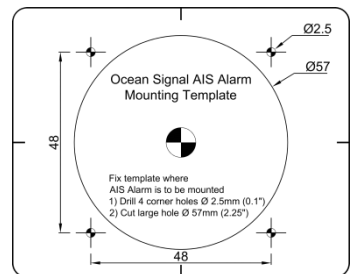
- | | |
|---|---|
| 1 | AIS Alarm box: 1 off |
| 2 | Optional Mounting Bracket: 1 off |
| 3 | Mounting Gasket: 1 off |
| 4 | Power Cable: 1meter |
| 5 | USB cable: 2 meters |
| 6 | Mounting template label |
| 7 | Mounting screws: 4 off N ^o 6 x 3/8" Countersink Pozi |
| 8 | Mounting screws: 2 off N ^o 6 x 1/2" Pan Pozi |

Installation

The AIS Alarm box may be either surface mounted on a panel or mounted on the included bracket.

Surface Mounting

Remove the four Hex head (Allen) screws in the corners of the product at the front to remove the rear cover from the AIS Alarm box. Fix the supplied template in the required mounting position. Note the template has 2mm clearance around it. Drill the four corner holes at the positions indicated using a 2.5mm drill. Cut a 57mm hole in the centre of the template at the position shown by the  symbol. Remove the template. Fix the back cover to the bulkhead using the four N^o 6 x 3/8" screws supplied, with the mounting gasket fitted between the rear of the unit and the bulkhead. Connect the cables to the sockets and refit the front of the alarm box to the rear cover, ensuring the O-ring remains in place



Not To Scale

Bracket Mounting

Use the supplied bracket to mount the AIS Alarm Box on a suitable horizontal surface. Ensure there is sufficient room to allow for the cable exit from the rear of the unit.

Locate the bracket in the required position and mark the two screw holes. If necessary drill a pilot hole. Mount the bracket with the two N^o 6 x 1/2" screws supplied.

Remove the four Hex head (Allen) screws in the corners of the product at the front to remove the rear cover from the AIS Alarm box. Connect the required cables and screw the

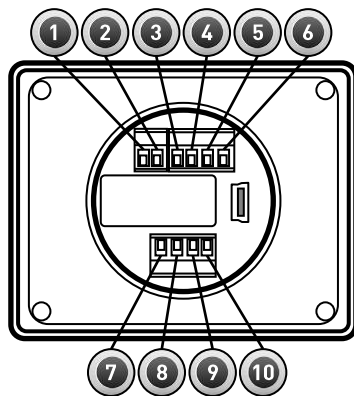
rear cover to the bracket using the four № 6 x 3/8" screws supplied. Refit the Alarm box on to rear cover with the four Hex head screws, ensuring the O-ring on the rear of the box remains in place.

Connections

The AIS Alarm is supplied with removable screw terminal connectors. Connect the unit to the 12V supply using the cable supplied or a similar gauge alternative. NMEA connections can use a cable of your choice. Unscrew the required cable glands and pass the cable through the outer clamp, housing and the rubber gland, before connecting the individual wires to the connectors. Tighten up the glands on completion.

Please remember that when connecting the NMEA TX- and TX+ connections that these must not be connected to ground (0V).

- 1 +12V Supply
- 2 0V Supply
- 3 NMEA Tx+
- 4 NMEA TX-
- 5 NMEA RX+
- 6 NMEA Rx-
- 7 Relay 2 N/C
- 8 Relay 1 N/C
- 9 Relay 1 N/O
- 10 Relay 2 N/O



N/O: Normally Open, N/C: Normally Closed

Operation

To turn the AIS Alarm on, press and hold the ON key for one second. The green PWR LED will illuminate.

To turn the AIS Alarm off, press and hold the ON key until the green PWR LED starts flashing. Release the key. The LED will turn off.

The audio level of the internal alarm can be adjusted by pressing and holding the VOL/MUTE key down. The alarm will sound an incrementing level. Release the key when the required level is heard. The level continuously cycles around from minimum to maximum, while the key remains depressed.

When an alert is received, the alarm will sound and the two LEDs (blue and red) either side of the ALARM legend will flash alternately. The alarm tone can be configured to be different for an alert received from an AIS SART, AIS MOB, or an individual AIS MOB. See the configuration instructions below.

Press the VOL/MUTE key to mute the alarm and clear the alert.





Configuration

The AIS Alarm can be configured to respond to all AIS SARTs, all AIS MOBs or up to 30 individually selected MOB MMSI numbers. Any combination of these options may be selected.

Software Download

The configuration software can be obtained from the Ocean Signal website at:- www.oceansignal.com/installers.

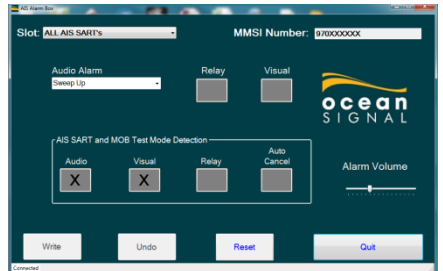
Three versions are available for Windows PCs, Android phones and tablets and iMac PCs. Follow the instructions on the installation page to install on your chosen device.

Note: Use of the software on Android devices requires OTG (On The Go) support and suitable OTG adaptor lead (not supplied). Apple support is not available for iPads and iPhones.

Software Operation

Connect the USB cable to the USB connector on the rear of the AIS Alarm Box and to the USB port on your device, remembering that an OTG adaptor lead is required for tablets and phones. The AIS Alarm should turn on. The blue LED will indicate it is configuration mode.

Run the AIS Alarm application on your device. The screen will be displayed as per the Windows example opposite. Other applications may appear slightly different but the same information and selections will still be visible.



To configure each mode select the mode from the Slot pull down box. As each mode is selected the selection boxes will change to show the configuration of the mode.

For each individual number required, select an empty slot and enter the required MMSI number in the box on the top right of the screen.

The Alarm can be either disabled or sound one of three tones; a sliding tone rising in pitch (Sweep Up), a sliding tone descending (Sweep Down) or a warbling alarm tone (Warble).

Choose whether the selected mode will activate the relay and whether it shows the visual indication on the alarm box LEDs. There is also a selection to configure how a test call from each type of device is handled. The alarm tone for all test call types is a continuous steady tone.

Warranty

Your Ocean Signal MOB1 is warranted against manufacturing defects in materials and workmanship for a period of 2 years from the date of purchase and in accordance with Ocean Signal's standard warranty policy.

Specification

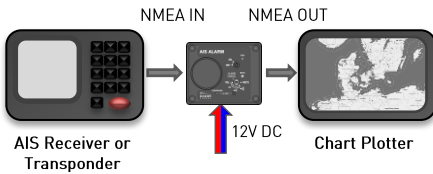
General

- Power supply 10.8 – 15.6Volts DC
- Data input..... NMEA0183-HS, 38400Baud
- Data Output..... NMEA0183-HS, 38400Baud
- Alarm contacts (x2)..... 8Amps, 250V AC

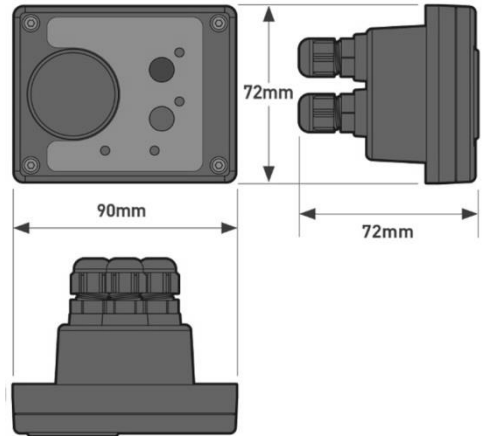
Environmental

- Temperature range (operational) -15°C - +55°C
 - Waterproof..... 1m depth
 - Dimensions 90mm x 72mm x 72mm*
- *depth including waterproof cable glands

AIS Alarm box Network



AIS Alarm box dimensions



© Ocean Signal Ltd 2016